

TREK



2024 WAHOO TRAIL

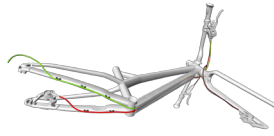
SERVICE MANUAL

Contents

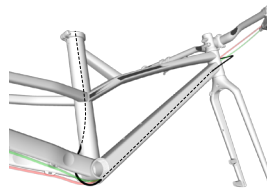
[About this manual](#)

- ★ Cable (zip) tie
- Nm Torque value
- Apply appropriate threadlocker
- Apply appropriate grease

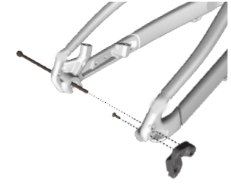
[Brake/shift routing](#)



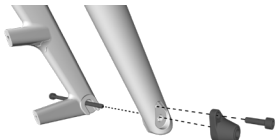
[Dropper seatpost routing](#)



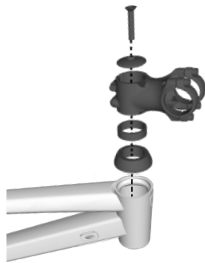
[Rear derailleur hanger and axle](#)



[Front axle](#)



[Headset](#)



[Front fender](#)



[Specifications](#)

| | 20" | 24" |
|----------------------------------|-------------------------------|-------------------------------|
| Rear hub I.D. | 135mm | 135mm |
| Front hub I.D. | 150mm | 150mm |
| Seatpost OD | 28.6mm | 28.6mm |
| Upper fork steerer tube OD | 28.6mm | 28.6mm |
| Lower fork steerer tube OD | 28.6mm | 28.6mm |
| Dropout outer diameter only (mm) | Front: 30.0mm Rear: 30.0mm | Front: 30.0mm Rear: 30.0mm |
| Max width mm | Without fenders: 24.0" | 24.0" |
| | With fenders: 24.0" | 24.0" |
| Max width mm | 24.0" | 24.0" |
| Fender compatible | Front: Yes Rear: Yes | Front: Yes Rear: Yes |
| Kickstand compatible | Yes | Yes |

| Chainsize | Max chainring teeth (T) | | |
|-----------|-------------------------|-------|-------------|
| | Small | Large | Single (Lx) |
| 48mm | | | 11T |

About this manual

Scope

This manual contains parts diagrams, specifications (such as grease and torque values), instructions, part numbers, and helpful tips. It does not contain instructions for all components (such as brake calipers). Refer to the original manufacturer for more information.

Replacement parts

Trek recommends using only Trek OEM (original manufacturer) replacement parts.

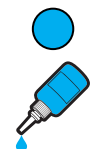
Additional info


The Owner's Manual is available at [Trebikes.com/manuals](https://trekbikes.com/manuals).

Legend

 Cable (zip) tie

 Torque value

 Apply appropriate threadlocker

 Apply appropriate grease

Safety

WARNING

Properly tighten hardware

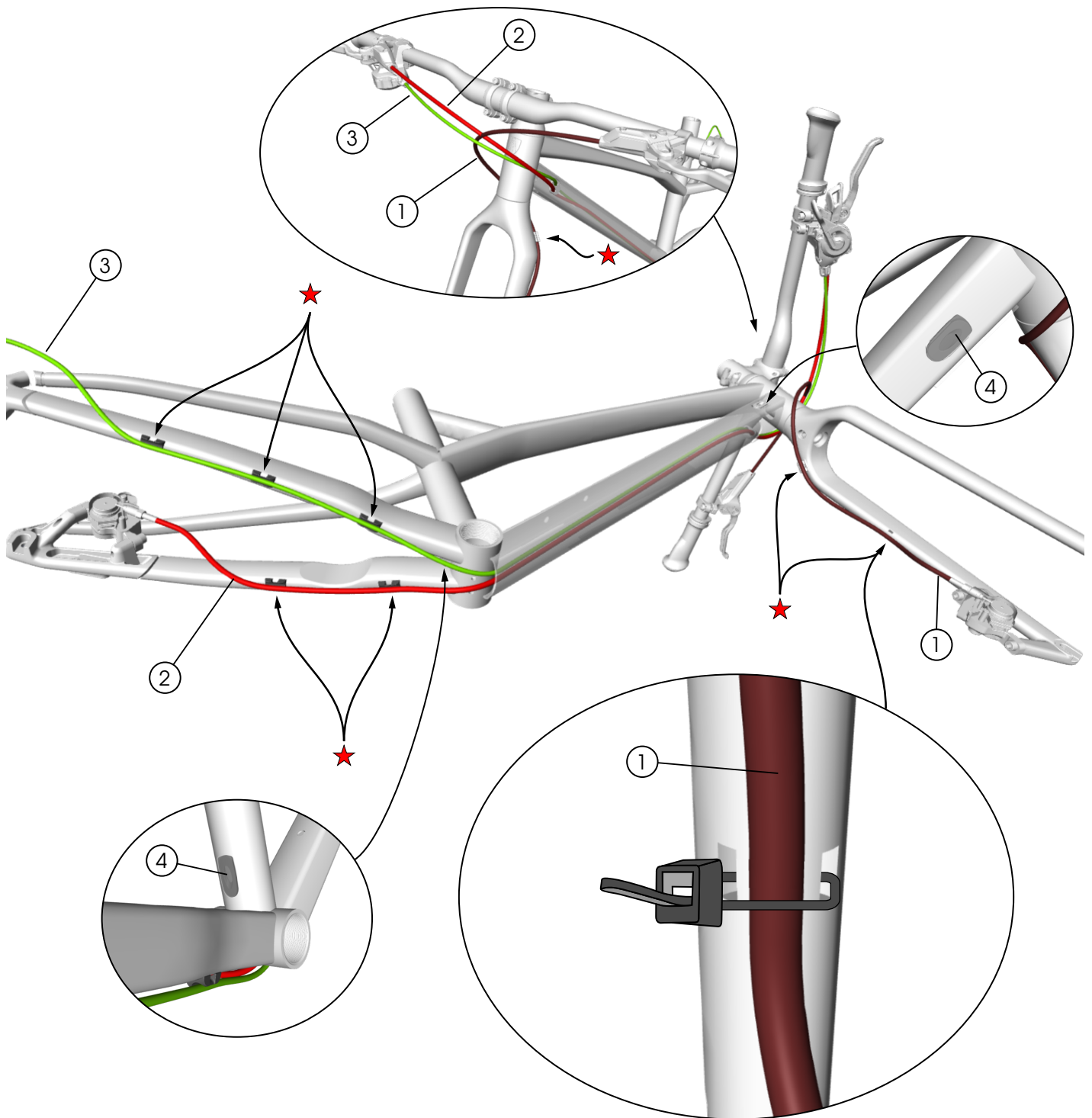
Always tighten hardware to the specified torque. Over-tightening hardware could deform or break the hardware or components. Under-tightening hardware could cause hardware or components to become loose. Either situation could damage the bicycle and result in injury to the rider.

WARNING

Reapply threadlocker

All reused-fasteners with pre-applied threadlocker must be cleaned with isopropyl alcohol and have new threadlocker applied before re-assembly. If threadlocker is not applied, the fasteners may loosen which could damage the bicycle and result in injury to the rider.

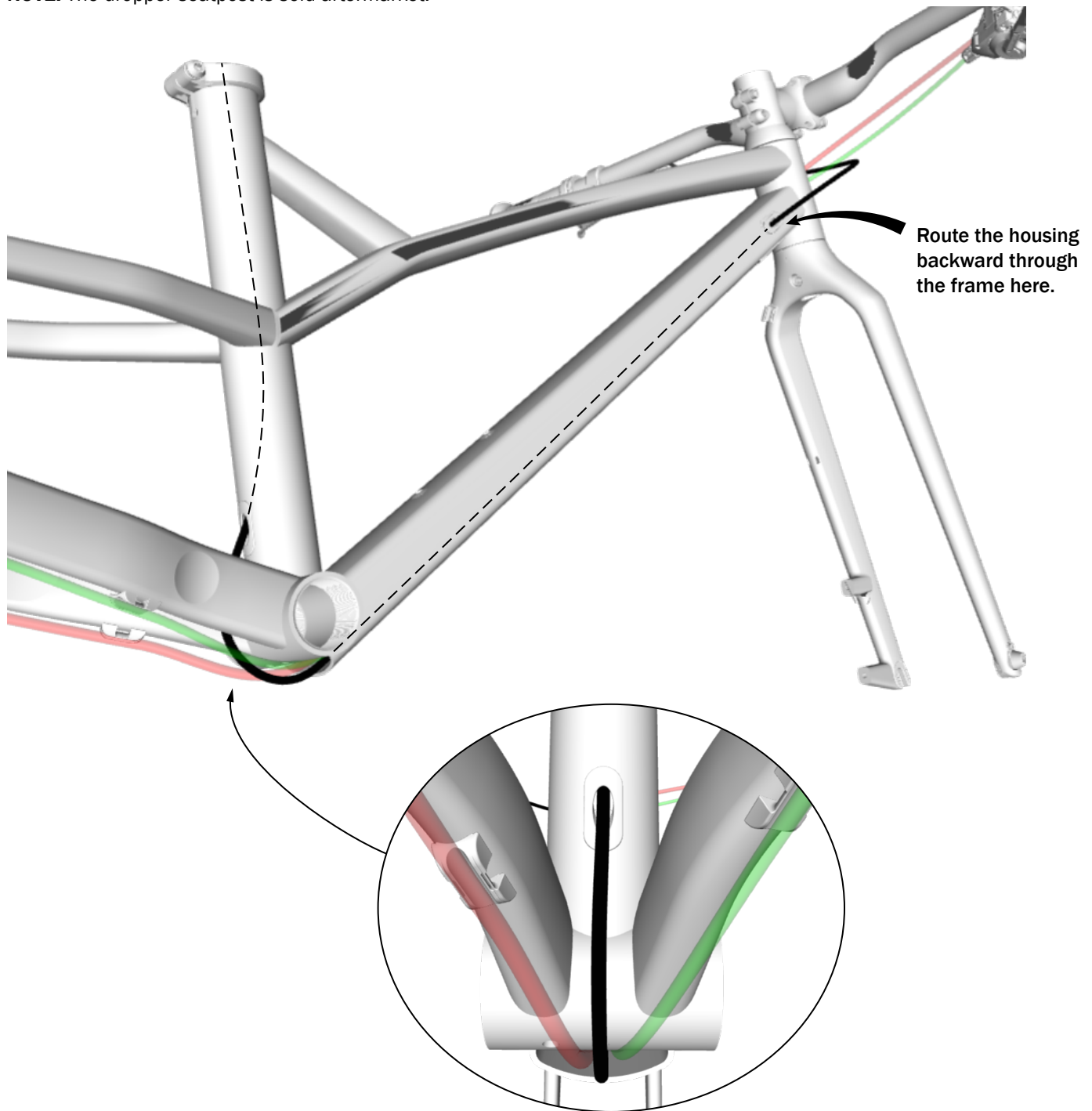
Brake/shift routing



- ① Front brake hose
- ② Rear brake hose
- ③ Rear derailleur housing
- ④ Hole cover (optional) – W556418

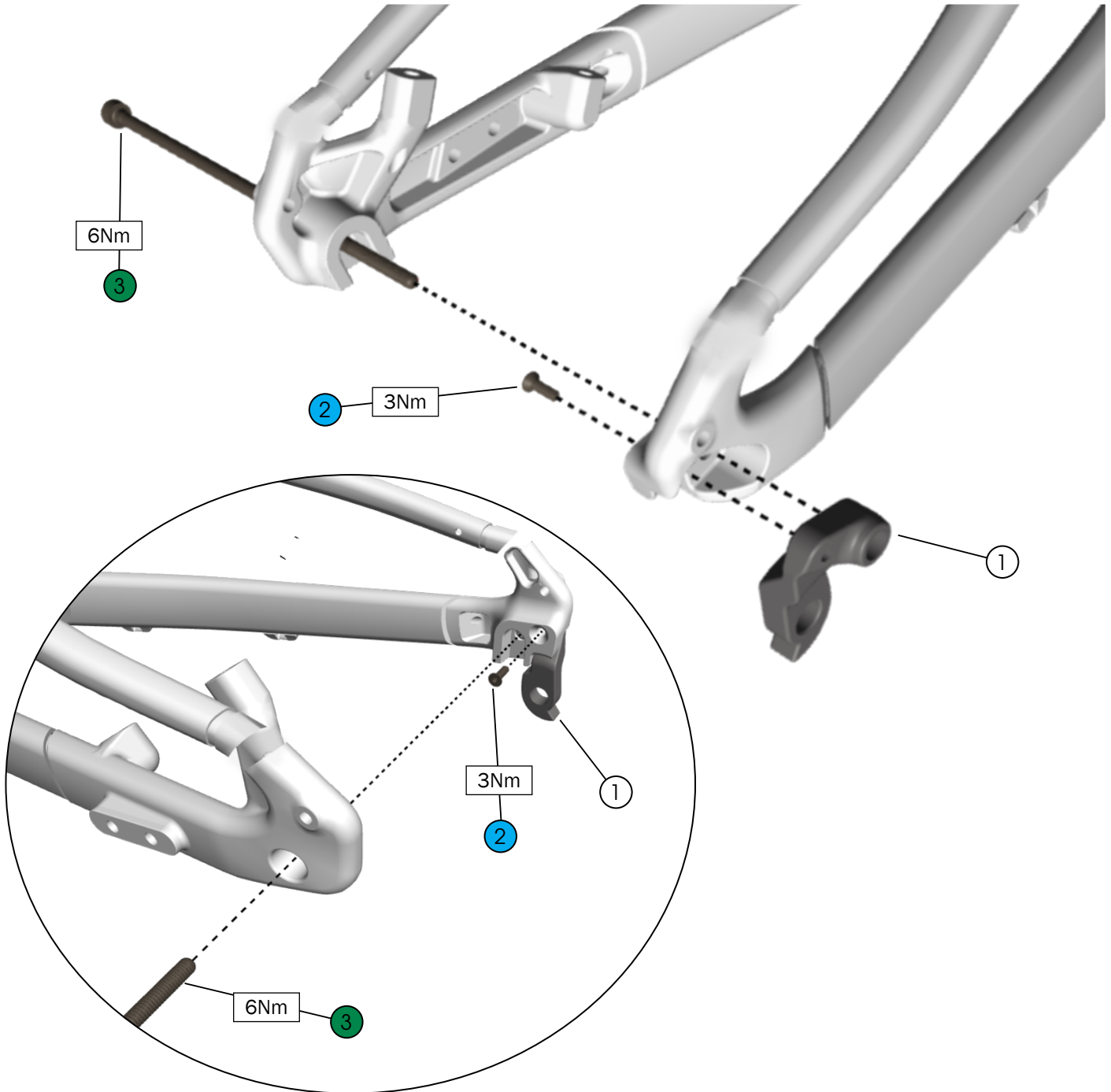
Dropper seatpost routing

NOTE: The dropper seatpost is sold aftermarket.



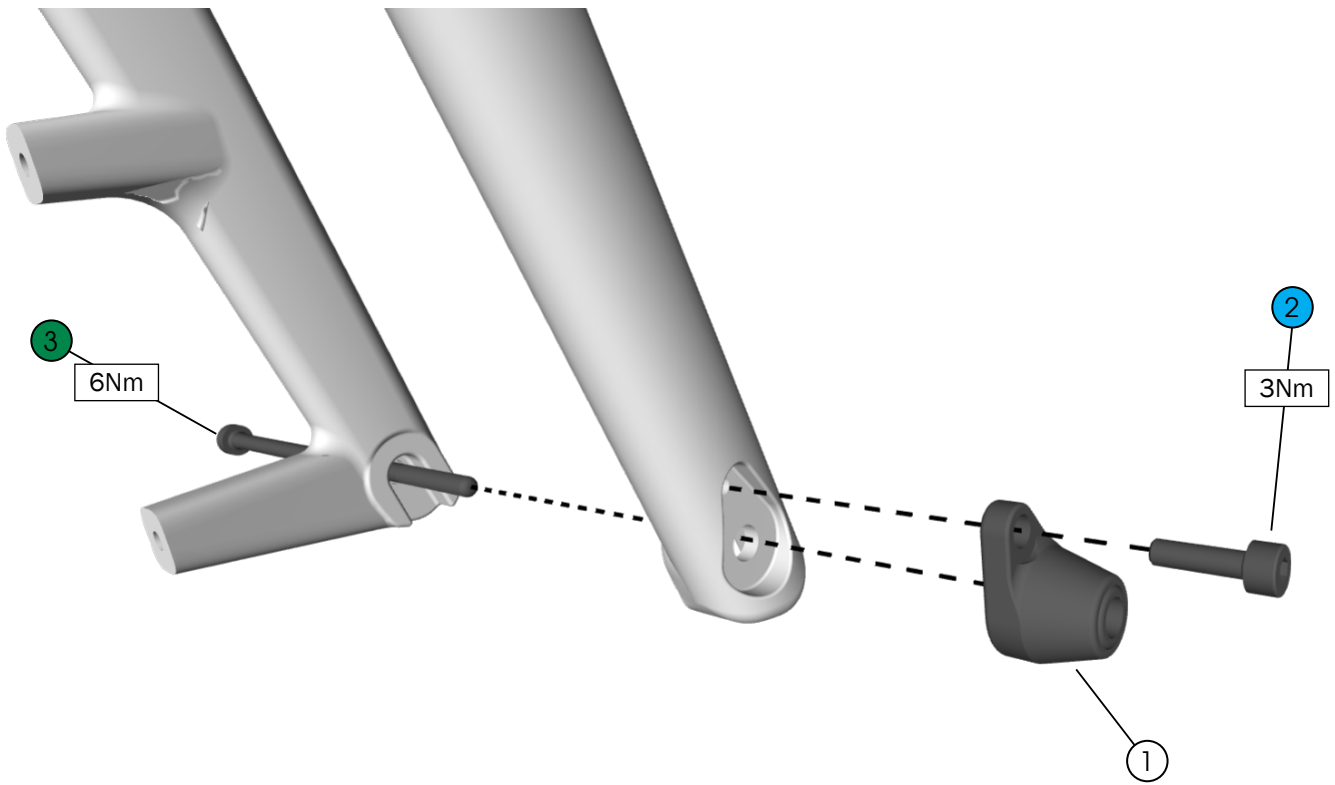
NOTICE: When installing a dropper seatpost, make sure there is adequate clearance for seatpost insertion.

Rear derailleur hanger and axle



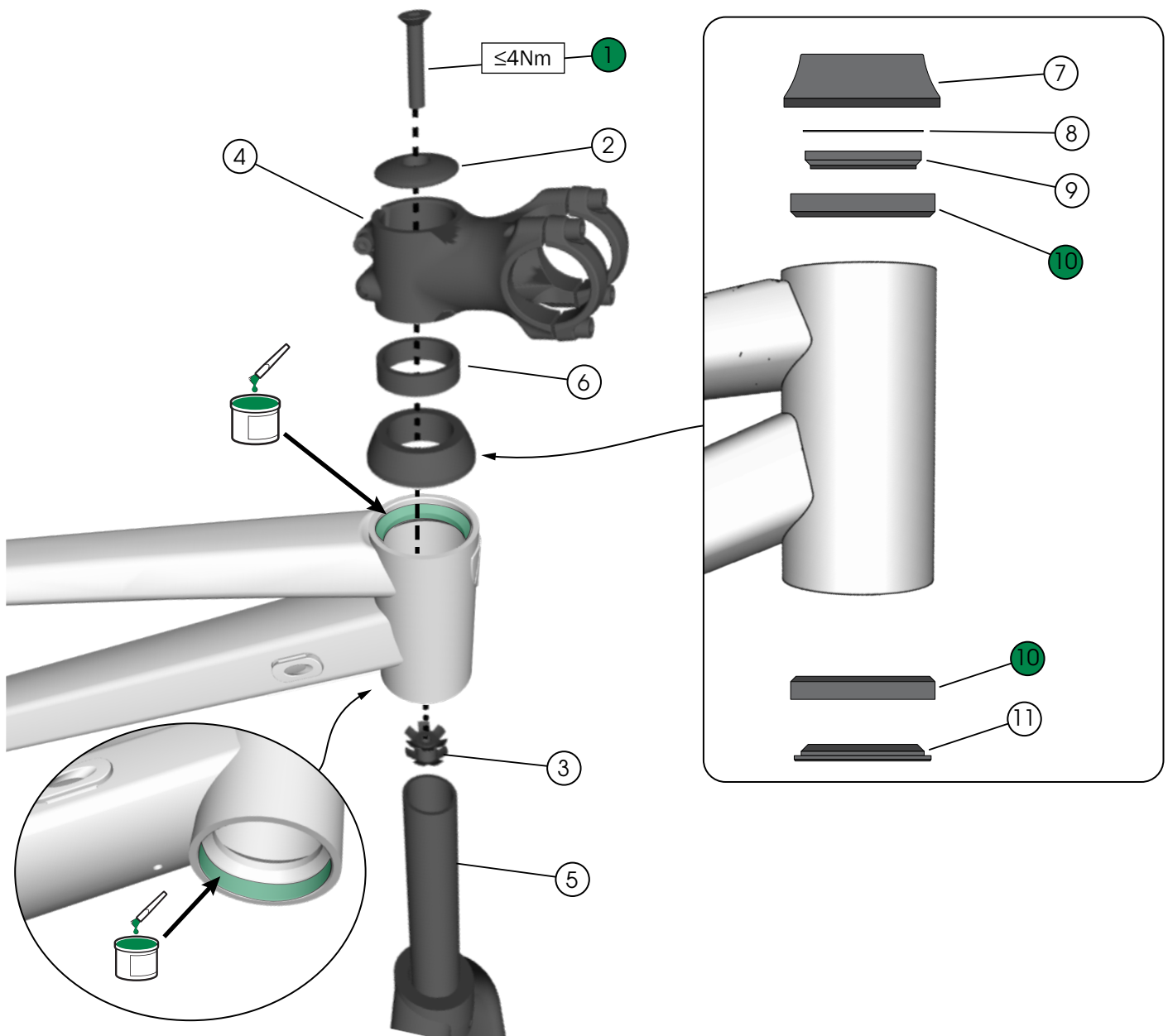
- ① Rear derailleur hanger – W5260077
- ② Fastener (M4x14mm) – W5270010
- ③ Thru-axle – (M5x135mm)– W5267150

Front axle



- ① Retention nut – 5273062
- ② Fastener (M4x14mm) – 5305635
- ③ Thru-axle (M5x100mm) – W5267149

Headset



- ① Top cap fastener
- ② Top cap
- ③ Compression nut (1-1/8")
- ④ Stem (50mm) – W562039
- ⑤ Fork (Carbon Smoke)
- ⑥ Spacer, 10mm – 5253929

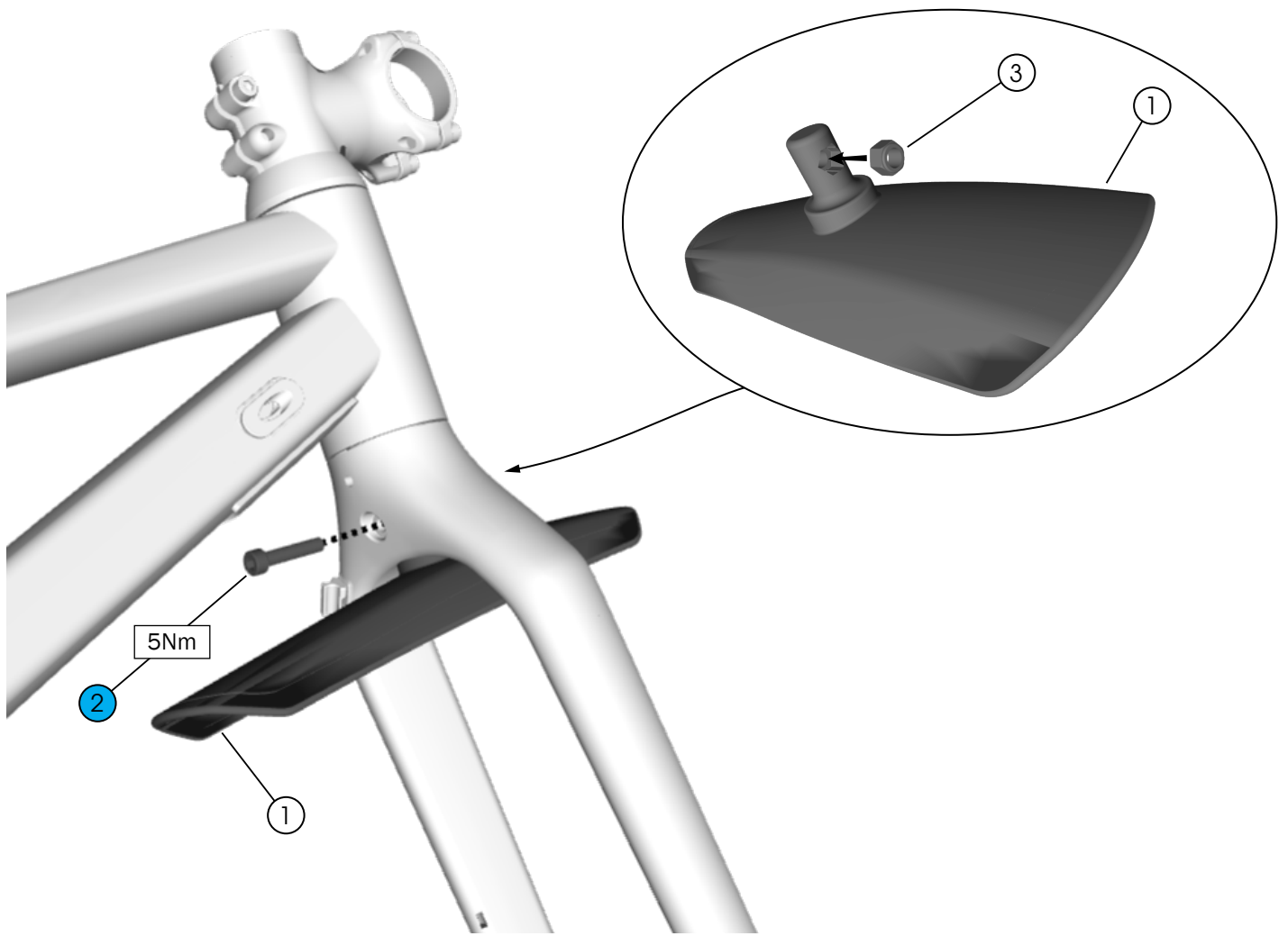
W545877

20" – 5315919
24" – 5315920

- ⑦ Dust cover
- ⑧ Gasket
- ⑨ Cling ring
- ⑩ Bearings
- ⑪ Reducer

W5310900

Front fender



① Front fender

② Fastener (M5x25mm) – W5252787

③ Nylock nut (M5)

W5306985

Specifications

Frame

| | | 20" | 24" |
|-------------------------------------|------------------------|--------|--------|
| Rear hub OLD | | 135mm | 135mm |
| Front hub OLD | | 100mm | 100mm |
| Seatpost OD | | 31.6mm | 31.6mm |
| Upper fork steerer tube OD | | 28.6mm | 28.6mm |
| Lower fork steerer tube OD | | 28.6mm | 28.6mm |
| Brake rotor diameter min/max | Front | 160mm | 160mm |
| | Rear | 160mm | 160mm |
| Tire width max | Without fenders | 2.40" | 2.40" |
| | With fenders | 2.40" | 2.40" |
| Tire width min | | 2.0" | 2.0" |
| Fender compatible | Front | Yes | Yes |
| | Rear | Yes | Yes |
| Kickstand compatible | | Yes | Yes |

Chainline/chainring

| Chainline | Max chainring teeth (T) | | |
|-----------|-------------------------|-------|-------------|
| | Small | Large | Single (1x) |
| 49mm | — | — | 30T |